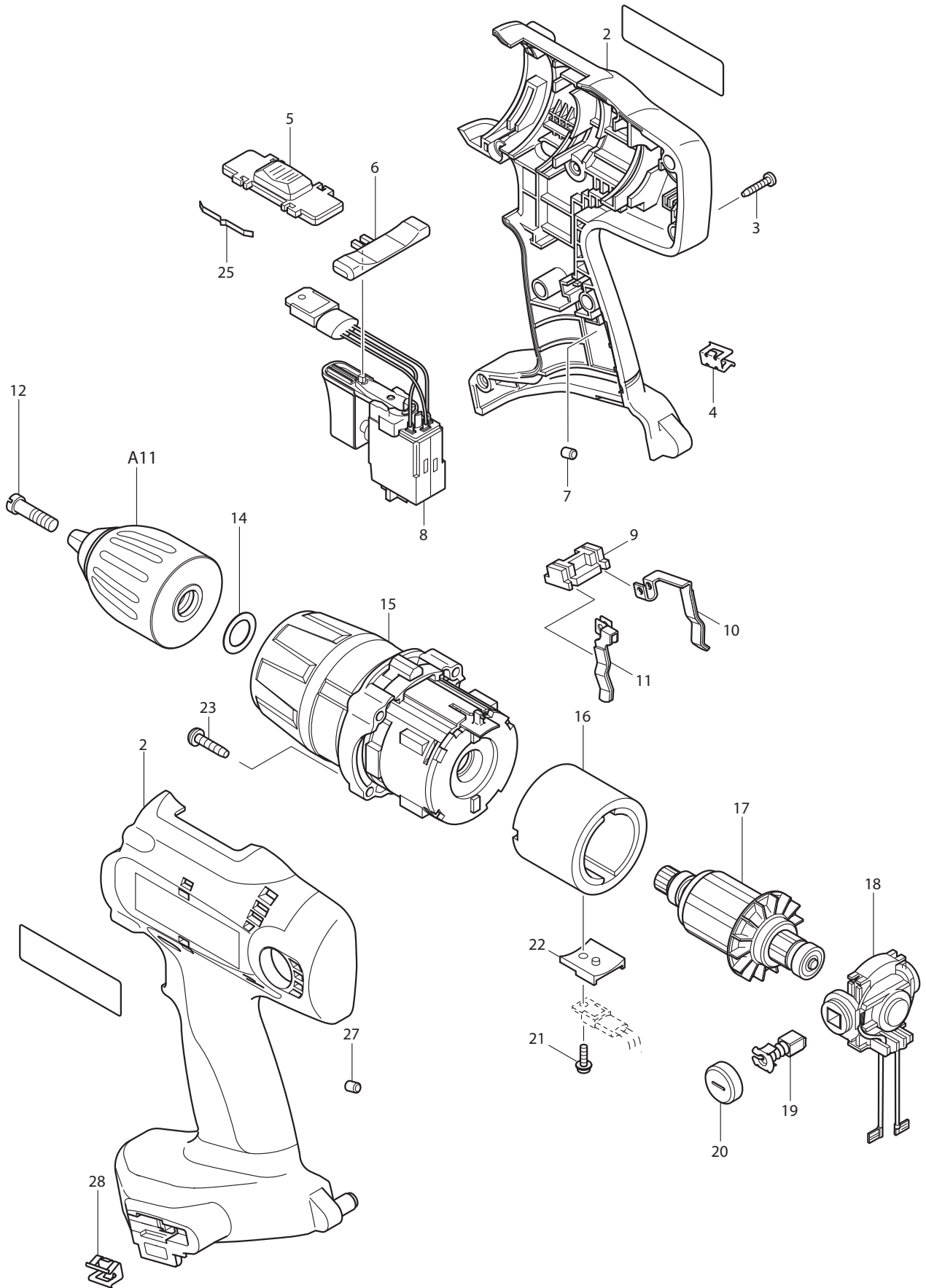




10 - 2009  
8444DWFE  
18V 1/2" PERCUSSION DRIVER DRILL KIT



Item No	Type	Ref	Part No	SC Description	Qty	Unit
2			183971-7	HOUSING SET	1	SET
3			266130-9	TAPPING SCREW BIND PT 3X16	9	PC.
4			344391-2	BIT HOLDER	1	PC.
5	1		125261-2	SPEED CHANGE LEVER ASS'Y	1	PC.
	2		125434-7	SPEED CHANGE LEVER ASS'Y	1	PC.
6			418753-1	F/R CHANGE LEVER	1	PC.
7			263024-9	RUBBER PIN 4	1	PC.
8			650559-3	SWITCH C3LA-2A-ED	1	PC.
9			687085-9	HOLDER	1	PC.
10			654168-0	SPRING TERMINAL (+)	1	PC.
11			654169-8	SPRING TERMINAL (-)	1	PC.
12			251464-3	- FLAT HEAD SCREW M6X22	1	PC.
14			253798-0	FLAT WASHER 13	1	PC.
15	1		125285-8	GEAR ASS'Y (TYPE1) - N/L/A	1	PC.
		INC.	418763-8	SPEED CHANGE RING - N/L/A	1	PC.
		INC.	268088-8	PIN 1.2	2	PC.
15	2		125341-4	GEAR ASS'Y (TYPE2) - N/L/A	1	PC.
		INC.	419558-2	SPEED CHANGE RING	1	PC.
		INC.	268088-8	PIN 1.2	2	PC.
		INC.	419557-4	CHANGE LEVER - N/L/A	1	PC.
15	3		125429-0	GEAR ASS'Y (TYPE3)	1	PC.
		INC.	419558-2	SPEED CHANGE RING	1	PC.
		INC.	268199-9	PIN 1.4	2	PC.
		INC.	450385-8	CHANGE LEVER	1	PC.
16	1		638376-1	YOKE UNIT	1	PC.
	2		638627-2	YOKE UNIT	1	PC.
17			629831-4	ARMATURE	1	PC.
18			638375-3	ENDBELL COMPLETE	1	PC.
19	1		191971-3	CARBON BRUSH CB-430, 2PCS/SET, W/O ORIGIN - N/L/A	1	SET
	2		195018-5	CARBON BRUSH CB-430, 2PCS/SET, W/ ORIGIN	1	SET
20	1		643807-7	BRUSH HOLDER CAP	2	PC.
	2		643929-3	BRUSH HOLDER CAP	2	PC.
21			266282-6	TAPPING SCREW ST3X10	1	PC.
22			689136-4	FET SPACER	1	PC.
23			266045-0	TAPPING SCREW 4X20	4	PC.
25			232220-0	LEAF SPRING	2	PC.
27			263024-9	RUBBER PIN 4	1	PC.
28			344391-2	BIT HOLDER	1	PC.
100			652038-7	P.H.SCREW M3X8 (F/Item No. 10, 11)	2	PC.

### **ACCESSORIES**

- See catalogue or visit [www.makita.ca](http://www.makita.ca) for more accessories information -

A01			122576-8	STOPPER POLE ASS'Y	1	PC.
		INC.	286226-0	CAP 20	1	PC.
		INC.	322223-3	DEPTH ROD	1	PC.
A02			122711-8	GRIP ASS'Y	1	PC.
		INC.	152624-9	GRIP 36 COMPLETE	1	PC.
		INC.	266349-0	SQUARE BOLT M8X50	1	PC.
		INC.	345463-6	GRIP SPRING 60	1	PC.
		INC.	418768-8	GRIP BASE	1	PC.
		INC.	251812-6	SCREW M5X10	1	PC.
		INC.	931202-6	HEX. NUT M5	1	PC.
A03			414938-7	BATTERY COVER	2	PC.
A04			DC1804	CHARGER DC1804	1	PC.

Item No	Type	Ref	Part No	SC Description	Qty	Unit
A05			193140-2	18V NI-CAD BATTERY 1835	2	PC.
A07			824763-2	PLASTIC CARRYING CASE	1	PC.
		INC.	163455-1	METAL LATCH	2	PC.
A08			324362-5	HOOK	1	PC.
A09			784639-4	DOUBLE ENDED ROBERTSON BIT	1	PC.
A10			784640-9	DOUBLE ENDED SQUARE BIT S2-S3	1	PC.
A11			763191-5	KEYLESS DRILL CHUCK 13	1	PC.